

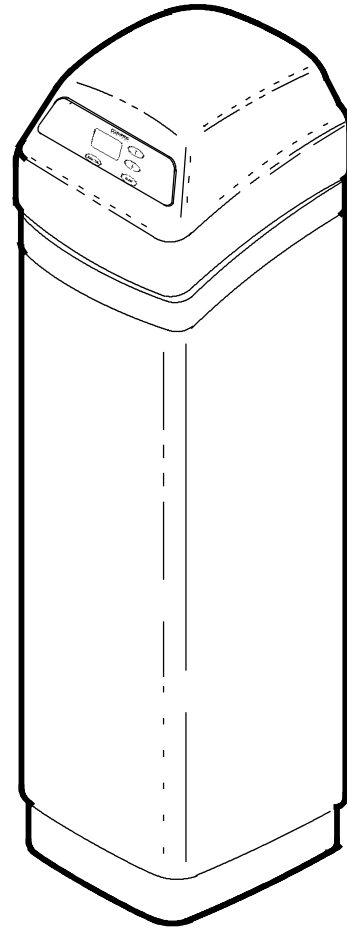
OWNERS MANUAL

How to maintain and operate your
EcoWater multi-purpose filter



A Marmon Water/Berkshire Hathaway Company

**SERIES
ETF2100 PF**

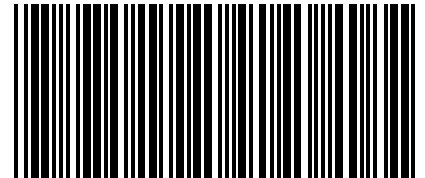


ETF2100PF10 and ETF2100PF12 are tested and certified without media by the Water Quality Association against CSA B483.1, NSF/ANSI Standard 61, and NSF/ANSI Standard 372 for low lead content.



Designed, Engineered &
Assembled in the U.S.A.

EcoWater Systems LLC
P.O. Box 64420, St. Paul, MN 55164-0420
www.ecowater.com



Part No. 7283536 (Rev. L 7/9/15)

TABLE OF CONTENTS

	Page
Specifications / Dimensions	3
Assembly Instructions	4
Planning Installation	5 - 6
Installation Steps	7 - 9
Wiring Schematic	9
Programming Face Plate Timer	10 - 13
Filter Operation	14 - 15
General	14
Service / Backwash / Fast Rinse	15
Service Information	16 - 18
Neutralizing Filter	16
Taste & Odor Filter	16
Troubleshooting	17
Repair Parts	21 - 23
Warranty	24

UNPACKING

EcoWater Multi-Purpose Filters are shipped from the factory in one master carton consisting of ...

- ...Mineral tank and valve assembly
- ...Controller cover and timer assembly
- ...Small parts bags
- ...Literature kit (includes this manual)

NOTE: Filtering mineral is not included. See page 21 for ordering information.

Thoroughly check the filter for possible shipping damage and parts loss. Also inspect and note any damage to the shipping carton. Notify the transportation company if damage is present. EcoWater is not responsible for in-transit damages.

Remove and discard (RECYCLE) all packing materials. We suggest that you do not open the small parts bags until you are ready to use them. Filter assembly instructions are on page 4.

SAFETY GUIDES

Follow the installation instructions carefully. Failure to install the filter properly **voids the warranty**.

Before you begin installation, read this entire manual. Then, obtain all the materials and tools you will need to make the installation.

Check local plumbing and electrical codes. The installation must conform to them.

NOTE: Codes in the state of Massachusetts require installation by a licensed plumber. For installation, use plumbing code 248-CMR of the Commonwealth of Massachusetts.

Use only lead-free solder and flux for all sweat-solder connections, as required by state and federal codes.

Use care when handling the filter. Do not turn upside down, drop, or set on sharp protrusions.

Do not locate the filter where freezing temperatures occur. Do not attempt to filter water over 120°F.

Freezing, or hot water damage voids the warranty.

Avoid installing in direct sunlight. Excessive sun heat may cause distortion or other damage to non-metallic parts.

The filter requires a minimum water flow (see specifications) at the inlet. **Maximum allowable inlet water pressure is 125 psi.** If daytime pressure is over 80 psi, nighttime pressure may exceed the maximum. Use a pressure reducing valve if necessary. Adding a pressure reducing valve may reduce the flow.

The filter works on **28V DC** electrical power, supplied by a direct plug-in power supply (included). Be sure to use the included power supply and plug it into a nominal **120V, 60 Hz** household outlet that is in a **dry location only**, grounded and properly protected by an over current device such as a circuit breaker or fuse.

This system is not intended to be used for treating water that is microbiologically unsafe or of unknown quality without adequate disinfection before or after the system.



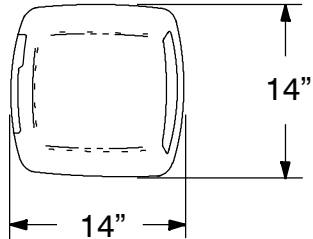
European Directive 2002/96/EC requires all electrical and electronic equipment to be disposed of according to Waste Electrical and Electronic Equipment (WEEE) requirements.

This directive or similar laws are in place nationally and can vary from region to region. Please refer to your state and local laws for proper disposal of this equipment.

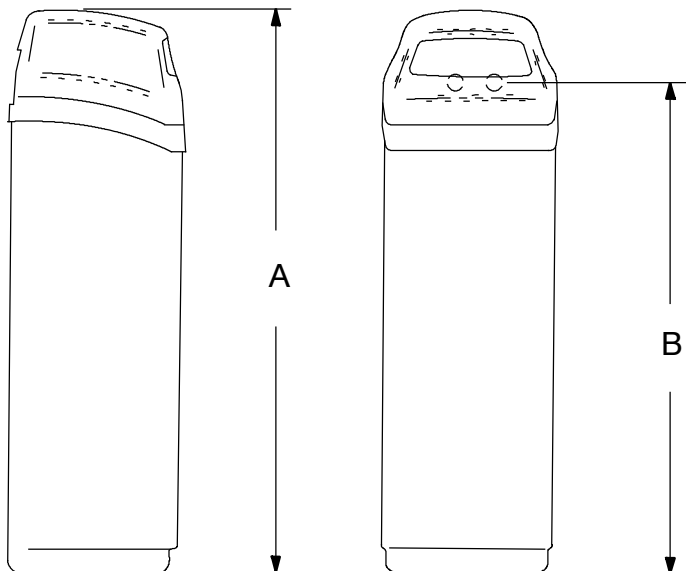
	ETF2100PF10 10" DIA x 47" RESIN TANK	ETF2100PF12 12" DIA x 54" RESIN TANK
FILTER TYPE, Mineral ¹ SEDIMENT REMOVAL Filter Aggregate limits	factory recommendation based on water analysis	
ACID NEUTRALIZER Neutralite water supply pH limits	6.0 to 6.8	6.0 to 6.8
TASTE & ODOR REMOVAL Activated Carbon limits	factory recommendation based on water analysis	
AMOUNT MINERAL RECOMMENDED (cu. ft.)	1 to 1-1/4	2
AMOUNT GRAVEL (lbs.)	17	29
AMOUNT FILTER SAND RECOMMENDED (lbs.) ¹	10	14 - 15
SUPPLY WATER PRESSURE LIMITS (PSI)	20 - 125	20 - 125
SUPPLY WATER TEMPERATURE LIMITS (°F)	35 - 120	35 - 120
MINIMUM INLET WATER FLOW, BACKWASH AND FAST RINSE FLOW TO DRAIN (gal. per Min.)	5	7
BACKWASH TIME (MINUTES) ²	25	25
FAST RINSE TIME (MINUTES) ²	5	5

¹ not included with filter

² Default times - cycle length is adjustable



	A	B
ETF2100PF10	57"	50"
ETF2100PF12	62-1/2"	55-3/4"



FILL THE MINERAL TANK

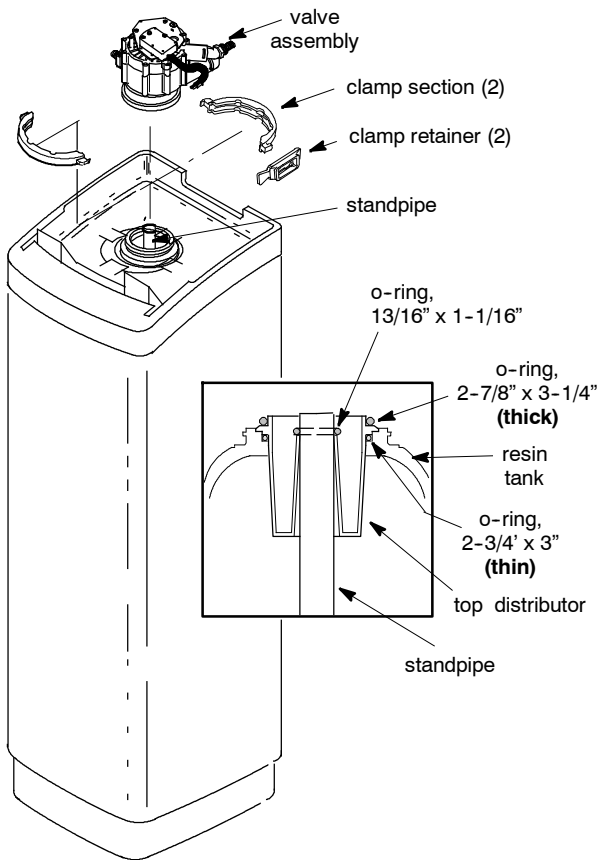
1. Remove the tank clamps, Figure 1, valve assembly, o-ring seals (3), and the top distributor.

2. Using a funnel, add the specified amount of filter sand, then the mineral.

NOTE:The filter is factory filled with the correct amount of gravel. Filter sand, and the desired filter mineral are not included.

CAUTION: To prevent sand and mineral from entering the bottom distributor and riser, temporarily plug with a clean rag.

FIGURE 1



3. Thoroughly clean all sand and mineral from the tank top opening.

SANITIZING THE FILTER

Care is taken at the factory to keep you water filter clean and sanitary. Materials used to make the filter will not infect or contaminate your water supply, and will not cause bacteria to form or grow. However, during shipping, storage, installing and operating, bacteria could get into the filter. For this reason, sanitizing, as follows, is suggested when installing.

Pour about 1 oz. (ETF2100PF10), or 2 oz. (ETF2100PF12), of the following disinfectant into the filter.

1. Calcium hypochlorite, available in granular or tablet form, under trade names such as Perchloron or HTH.
2. Common 5.25% household bleach such as Clorox, Linco, Bo Peep, White Sail, Eagle, etc.

NOTE - ACTIVATED CARBON FILTERS: ACTI-VATED CARBON WILL ABSORB THE SANITIZING AGENT, EXPENDING SOME CAPACITY.

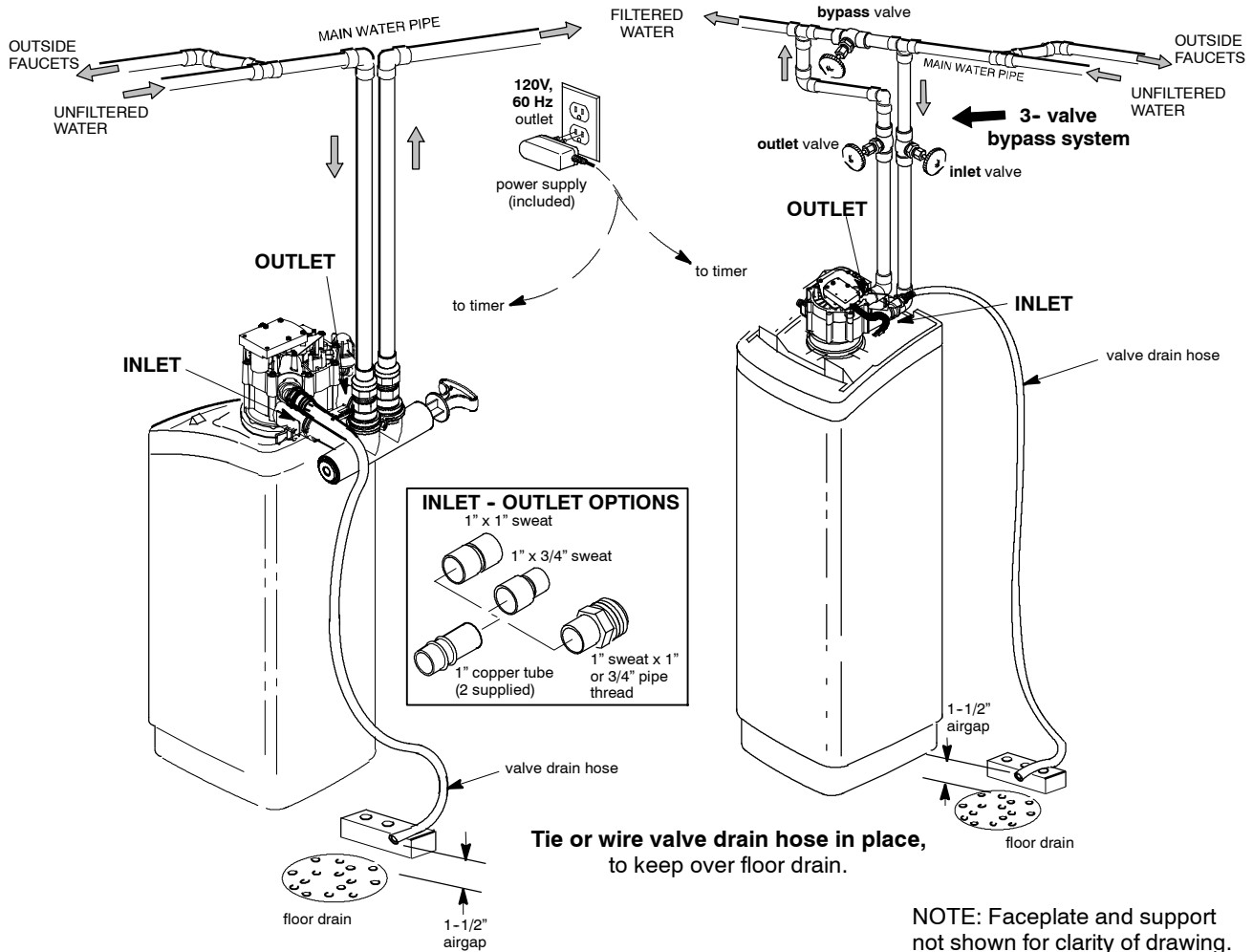
SANITIZING CONTINUED IN STEP 9, PAGE 9, AND STEP 1 ON PAGE 11.

4. Install the top distributor and o-ring seals (4), exactly as shown in Figure 1.

5. Lower the valve assembly, onto the mineral tank, centering over the standpipe, Push downward, to squeeze the o-rings, and install the clamp sections and both retainers. **BE SURE THE CLAMPS AND RETAINERS ARE FIRMLY IN PLACE.**

FIGURE 2

TYPICAL INSTALLATION DRAWINGS






INLET - OUTLET PLUMBING OPTIONS

1. ALWAYS INSTALL either an EcoWater bypass valve, #7214383, or a 3 valve bypass system.
2. Use 1"... or, 3/4" (minimum) pipe and fittings.
3. Use sweat copper... or, threaded pipe*... or, PVC plastic pipe.*

*Sweat soldering is required to adapt to the fittings (1" male) supplied with the filter, or obtain approved compression adaptors. The following special fittings are available from EcoWater. **Be sure to comply with all local plumbing codes.**

OPTIONAL INLET/OUTLET FITTINGS

-  — #7104546 PVC Nipple – Use in place of included copper inlet and outlet tubes.
-  — #7129211 Adaptor Fitting, 1-1/2" (2) – Use in place of included copper inlet and outlet tubes.
-  — #7120259 Elbow – Extends inlet and/or outlet in any 90° direction.

OTHER REQUIREMENTS

4. A drain is needed for regeneration discharge water. A floor drain, close to the filter is preferred. A laundry tub, standpipe, etc., are other options.

CAUTION: DRAIN WATER EXITS THE HOSE AT A FAST FLOW RATE, AND AT WATER SYSTEM PRESSURE. BE SURE THE HOSE IS FASTENED IN SOME MANNER TO PREVENT "WHIPPING", AND SPLASHING TO PREVENT WATER DAMAGE TO SURROUNDING AREA.

5. A 120V, 60Hz, grounded, continuously "live", electrical outlet is needed, in a dry location near the filter.

TOOLS YOU MAY NEED

- common screwdriver
- cross-point screwdriver
- pliers
- tape measure

SOLDERED COPPER THREADED CPVC PLASTIC

- | | | |
|--|--------------------------|---------------------|
| • tubing cutter | • hacksaw or pipe cutter | • hacksaw |
| • propane torch | • threading tool | • adjustable wrench |
| • LEAD-FREE solder and flux | • pipe joint compound* | • solvent cement* |
| • emery cloth, sandpaper or steel wool | | • primer |

MATERIALS YOU MAY NEED

- bypass valve, or 3 valves
- pipe and fittings as required
- 5/8" I. D. minimum drain hose, either standard garden hose, or hose onto a barb fitting*

***VALVE DRAIN OPTIONS:** Flexible drain hose is not allowed in all localities (check your codes). For a rigid valve drain run, plumb according to local codes. To connect to the valve drain fitting, purchase an adaptor, garden hose thread x 5/8" (minimum) tube. Use a hacksaw to cut off barbs from the fitting.

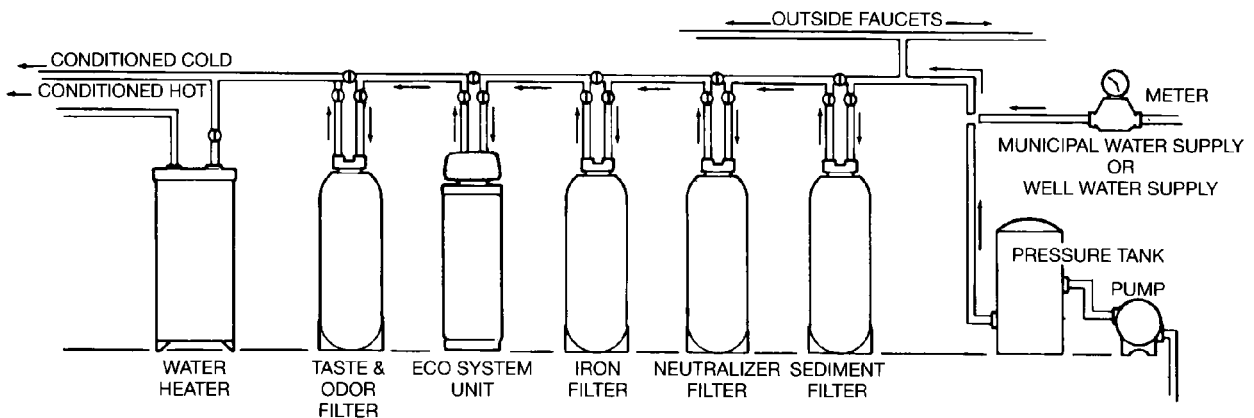
SELECT INSTALLATION LOCATION

Consider all of the following when selecting an installation location for the filter selected.

- To filter all water in the home, install the filter close to the water supply inlet. To conserve filtered water, outside faucets should remain on raw water.
- If other water conditioning equipment is installed, locate as shown in Figure 3.
- A nearby drain is needed to carry away regeneration discharge water. A floor drain is preferred, with a laundry tub, standpipe, etc., as other options (check your local codes).
- The filter works on **28V DC** electrical power, supplied by a direct plug-in power supply (included). Be sure to use the included power supply and plug it into a nominal **120V, 60 Hz** household outlet, in a **dry location only**, grounded and properly protected by an over current device such as a circuit breaker or fuse.
- Position the filter at least 6" from surrounding walls, or other appliances, to allow access for servicing.
- If installing the filter in an outside location, be sure to provide protection from the elements, contamination, vandalism, and sunlight heat. The sun's heat can melt plastic parts.

FIGURE 3

COMPLETE WATER CONDITIONING SYSTEM — Seldom would all the water conditioners shown below be needed on 1 water supply. The drawing does show the proper sequence location of each conditioner.



NOTE: FOR CLARITY OF THIS DRAWING, NOT ALL OF ECOWATER SYSTEMS WATER CONDITIONERS ARE ILLUSTRATED (REVERSE OSMOSIS, DISTILLERS, ETC.).

1. INSTALL INLET AND OUTLET FITTINGS

NOTE: All fittings are in the small parts bags.

a. Insert the turbine support, into the valve outlet port, up to the shoulder.

NOTE: If installing the EcoWater bypass valve, see separate instructions included with it.

b. Slide a lubricated o-ring onto one of the copper tubes. Carefully insert the copper tube into the outlet port (Figure 4) and secure in place with a plastic "C" clip.

NOTE: For lubrication, use silicone grease approved for use on potable water supplies.

c. Repeat step b on the inlet side.

2. TURN OFF WATER SUPPLY

a. Close the main water supply valve, near well pump or water meter.

b. Shut off the electricity or fuel supply to the water heater.

c. Open high and low faucets to drain all water from hose pipes.

3. INSTALLING 3-VALVE BYPASS

If installing a 3-valve bypass system, plumb as needed, using Figure 2 on page 5 as a guide. If installing sweat copper, be sure to USE LEAD-FREE SOLDER as required by federal and State codes. Use pipe joint compound on outside pipe threads.

4. MOVE FILTER INTO PLACE

Move the filter into the installation position, setting on a solid, smooth and level surface. If needed, place the filter on a section of 3/4" plywood. Then shim under the plywood to level the filter Figure 5.

CAUTION: DO NOT PLACE SHIMS DIRECTLY UNDER THE SHROUD. The weight of the tank may cause the shroud to fracture at the shim.

5. ASSEMBLE INLET AND OUTLET PLUMBING

Measure, cut and loosely assemble pipe and fittings from the main water pipe (or from bypass valves installed in step 3), to the filter inlet and outlet copper tubes.

BE SURE UNFILTERED WATER SUPPLY PIPE GOES TO THE FILTER INLET SIDE. Trace the water flow direction to be sure.

FIGURE 4

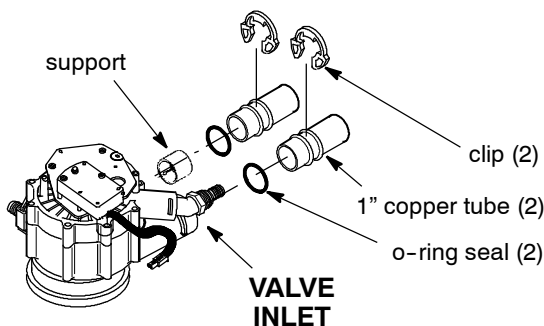
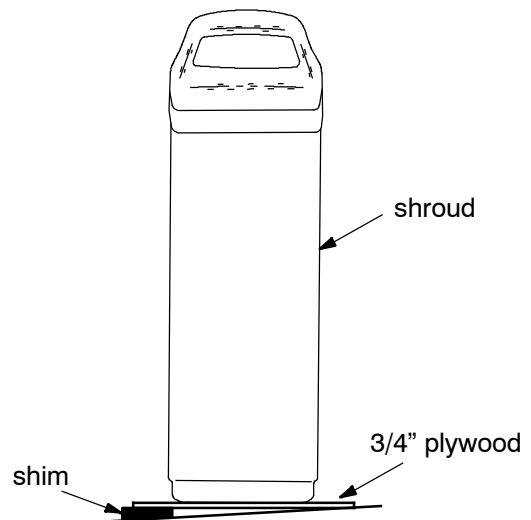


FIGURE 5



6. COLD WATER PIPE GROUNDING

The house cold water pipe (metal only) is often used as a ground for the house electrical system. The 3-valve bypass type if installation, shown in Figure 2, will maintain ground continuity. If you use the plastic bypass valve at the filter, continuity is broken. To restore the ground, install one of the following grounds.

- a. Use the EcoWater ground clamp kit (not included) to make a jumper across the inlet and outlet pipes Figure 6a.
- b. Install a #4 copper wire across the removed section of main water pipe, securely clamping on both ends (Figure 6b) – parts not included.

7. CONNECT INLET & OUTLET PLUMBING

Complete the inlet and outlet plumbing as applicable.

a. SOLDERED COPPER

- (1) Thoroughly clean and flux all joints.
- (2) Remove the inlet and outlet tubes from the valve (pull plastic “C” clips), and o-rings from the tubes. **DO NOT SOLDER WITH TUBES IN THE VALVE. SOLDERING HEAT WILL DAMAGE THE VALVE.**
- (3) Make all solder connections. Be sure to keep fittings fully together, and pipes square and straight.

- (4) **AFTER PLUMBING HAS COOLED**, repeat steps 1b and 1c.

b. THREADED PIPE

- (1) Apply pipe joint compound to all outside pipe threads.
- (2) Tighten all threaded joints.
- (3) If **SOLDERING TO INLET AND OUTLET TUBES**, observe steps (1) through (4) above.

c. CPVC PLASTIC PIPE

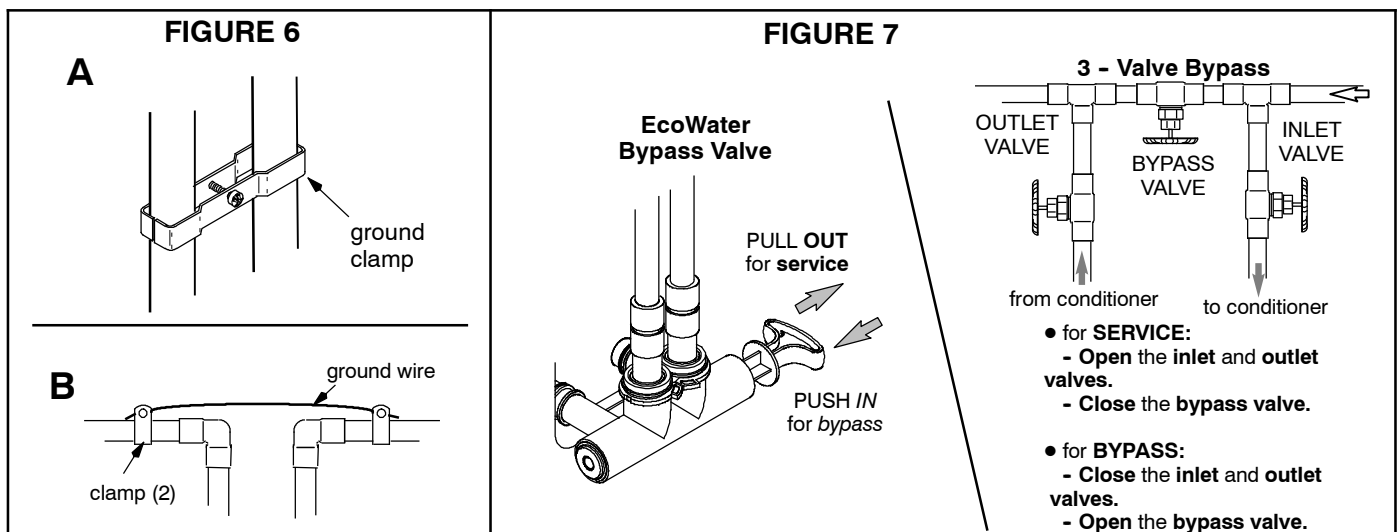
- (1) Clean, prime and cement all joints (follow instructions of the plastic pipe and fittings manufacturer).
- (2) IF **SOLDERING TO INLET AND OUTLET TUBES**, observe preceding steps (1) through (4).

8. INSTALL VALVE DRAIN HOSE

- a. Connect a length of 5/8” I.D. (minimum) hose to the valve drain elbow on the controller Figure 2. The elbow accepts either a hose onto the barb fitting, or standard garden hose onto the threads. To use the threads, cut off the barbs with a hacksaw.

NOTE: Flexible drain hose is not allowed in all localities. See option on page 7.

- b. Run the hose to a floor drain, and as typically shown in Figure 2, tie or wire the end to a brick or other heavy object. This will prevent “whipping” during regenerations. Be sure to provide a 1-1/2” minimum air gap, to prevent possible sewer water backup.



NOTE: In addition to a floor drain, you can use a laundry tub or stand pipe as a good drain point for this hose. Avoid long drain hose runs, or elevating the hose.

9. PRESSURE TESTING FOR LEAKS

TO PREVENT EXCESSIVE AIR PRESSURE IN THE FILTER AND PLUMBING SYSTEM, DO THE FOLLOWING STEPS IN ORDER

- a. Open two or more filtered water faucets, both hot and cold.
- b. Referring to Figure 7, turn the bypass valves to service position.
- c. Slowly open the main water supply valve.
- d. Close the filtered water faucets after both of the following occur.
 - water runs smoothly, with no air bubbles
 - you can smell the sanitizing (page 4) bleach odor at the faucets
- e. Check your complete installation for leaks. If rework is required, be sure to observe precautions in step 6.

10. CONNECT ALL LEADWIRES

a. Connect the wire harness to the valve switch Figure 8. The switch is on the valve, by the large gear.

NOTE: Check to be sure the connector is secure, on the back of the timer.

b. Attach the male connector, on the valve motor leadwire, the the matching female connector on the faceplate timer.

c. Connect the power cable leads to the back of the timer.

11. CONNECT TO ELECTRICAL POWER

Plug the power supply into a continuously “live”, grounded, 120V, 60Hz household electrical outlet, approved by local codes.

12. TO COMPLETE INSTALLATION, DO THE PROGRAMMING STEPS ON PAGES 10 AND 11.

NOTE: SEE WATER HEATER START-UP ON PAGE .

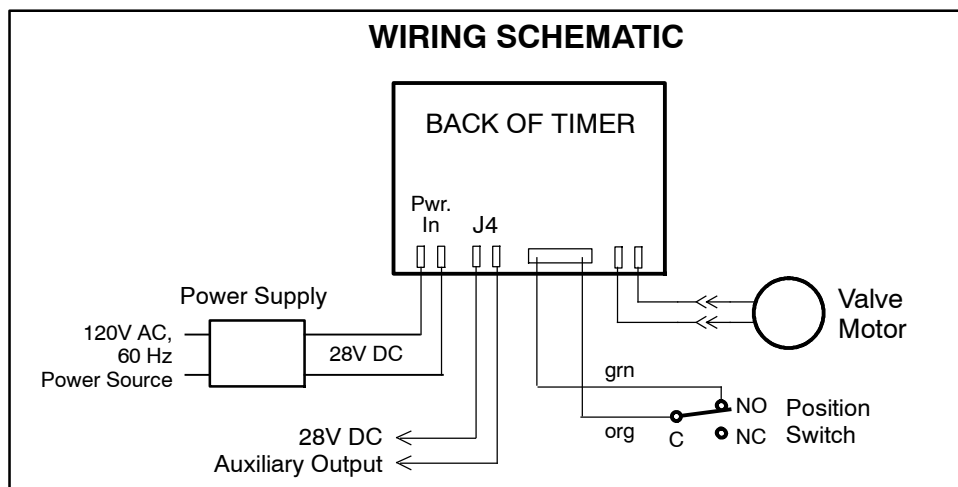
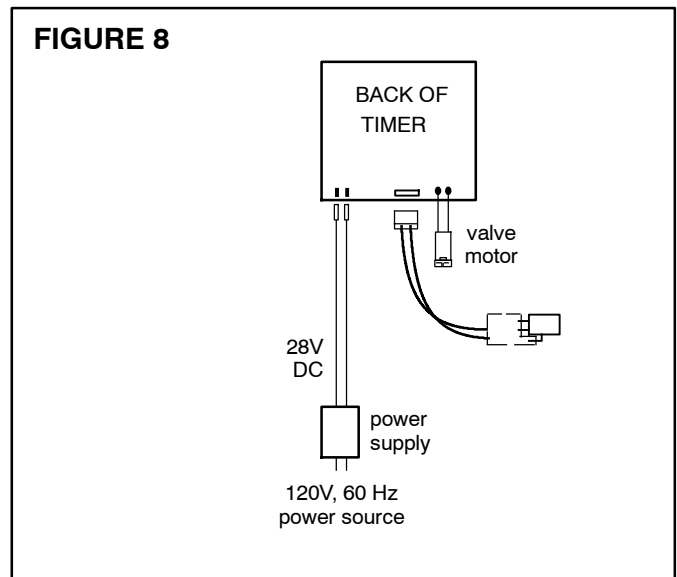
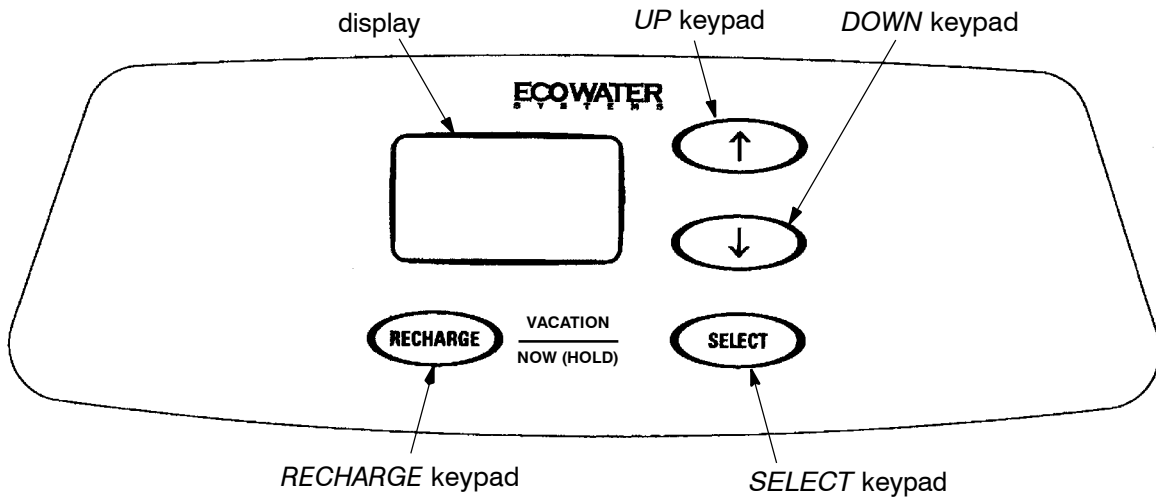
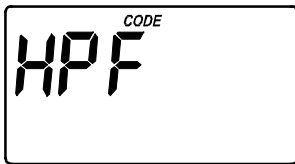


FIGURE 9



When the power supply is plugged in, the model code HPF shows in the face plate display for the first few seconds. The model code is followed by a test number (example: J3.4). Then the display will flash "12:00 PM" and the words "PRESENT TIME". Set the present time of day as follows:



A. Set Time of Day

1. Press the UP or DOWN keypads until the correct time of day shows, being sure AM or PM shows in the display.



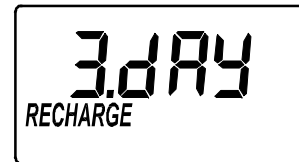
NOTE: Press and quickly release the keypads to slowly advance the display. Hold the kaypads down for fast advance. This procedure applies for all following settings.

2. Press the SELECT keypad once to set the present time and advance to the next set up screen.

B. Set Days to Recharge

1. This setting is the number of days the filter will go between recharges. The default setting is 3 days, with a maximum setting of 99.

2. Press the UP or DOWN keypads until the correct number of days between recharges is shown in the display.



3. Press the SELECT keypad once to set the days to recharge and advance to the next set up screen.

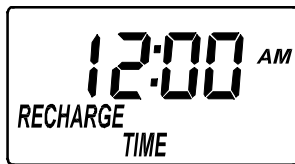
NOTE: See the chart on the following page to determine the frequency of recharges. Find the number of people living in the household, and then going across the chart, find the amount of iron (in parts per million) that is in the water supply. The number of days that shows is the number of days the filter should be set for recharges.

Number of People	Iron (parts per million)			
	1 - 2	3 - 4	5 - 7	8 - 20
1	4 days	3 days	2 days	1 day
2	4 days	3 days	2 days	1 day
3	4 days	3 days	1 day	1 day
4	3 days	2 days	1 day	1 day
5	3 days	2 days	1 day	1 day
6	2 days	1 day	1 day	1 day
7	2 days	1 day	1 day	1 day

NOTE: If the water supply has high turbidity (sand, silt, sediments, etc.) set the filter to regenerate more often than the table above shows. Carbon and neutralizing filters may only need to backwash once a week, depending on application.

C. Set Recharge Time

1. Press the UP or DOWN keypads until the correct recharge time shows, being sure AM or PM shows in the display. Default for this display is 12:00 AM.



2. Press the SELECT keypad once to set the days to recharge and advance to the next set up screen.

I. Press and hold the RECHARGE keypad for three seconds until RECHARGE NOW begins to flash in the display, starting a recharge. This recharge flushes "fines" from the new mineral, and purges air and bleach remaining from the sanitizing procedure.

The filter returns to service in about 30 minutes. After the recharge has completed, fully open a cold water faucet downstream from the filter and allow 50 gallons of water to pass through the filter. This should take 20 minutes. Close the faucet.

II. RESTART THE WATER HEATER: Turn on the electric or fuel supply to the water heater, and light the pilot, if applies.

NOTE: The water heater is filled with unfiltered water and as hot water is used, it refills with filtered water. In a few days, hot water will be fully filtered. To have fully filtered water immediately, wait until the recharge (step I above) is over. Then, drain the water heater until water runs cold.

III. THE TIMER IS NOW PROGRAMMED AND INSTALLATION IS COMPLETE.

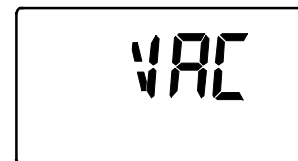
FEATURES / OPTIONS

RECHARGE NOW - For an immediate extra backwash at any time, use this feature. Press and hold in the RECHARGE keypad for three seconds until RECHARGE NOW begins to flash in the display. The filter backwashes for 25 minutes, followed by a 5 minute fast rinse cycle. Then the filter returns to service.



VACATION - The day you leave on vacation, or other long absence, press (DO NOT HOLD IN) the RECHARGE keypad. **VAC** begins to flash in the display.

The timer will keep time, but the filter will not backwash and waste water.

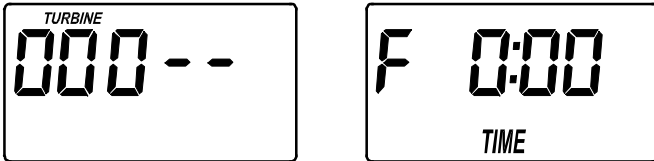


NOTE: While in the VACATION setting, the filter will go through a backwash if the RECHARGE NOW feature is used (see above).

WHEN YOU RETURN, press the RECHARGE keypad again to return the filter to service, and the correct time of day will show in the display. **Remember to do this or the filter will not backwash and you will soon have unfiltered water.**

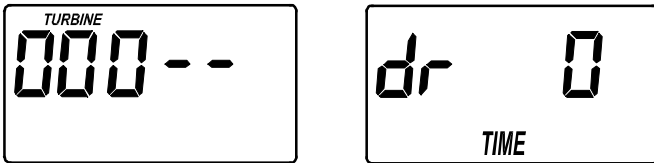
The default settings for fill (0 minutes), brine draw (0 minutes), backwash (25 minutes) and fast rinse (5 minutes) cycles of regeneration are factory set for maximum performance of the filter. Use the following procedures to check for correct cycle times, or to change if desired. However, only trained technicians should change the time settings.

ADJUSTABLE FILL - Press and hold the SELECT button until the display shows "000--", then press the SELECT button once to advance to the Fill time adjust screen.



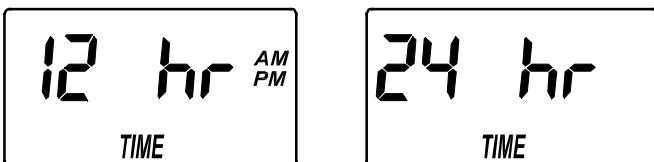
Using the UP or DOWN buttons, adjust the fill time from 0 minutes to 99:59 minutes.

ADJUSTABLE BRINE DRAW - Press and hold the SELECT button until the display shows "000--", then press the SELECT button twice to advance to the Brine Draw time adjust screen.



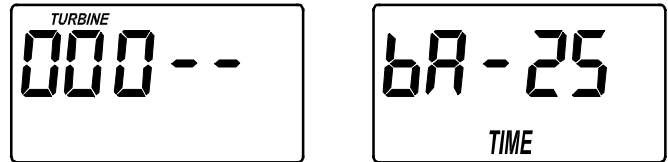
Using the UP or DOWN buttons, adjust the brine draw time from 0 minutes to 255 minutes.

12 OR 24 HOUR CLOCK - The electronic controller has been factory preset to display a 12 hour clock (AM / PM). If you prefer, you may change this to display a 24 hour clock. Press and hold the SELECT button until the display shows "000--", then press the SELECT button three times to advance to the "12 hr" or "24 hr" time format screen.



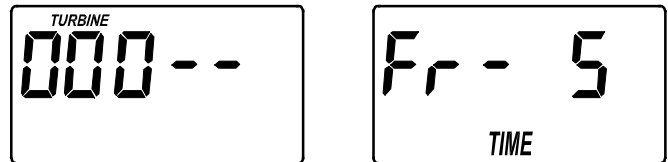
Using the UP or DOWN buttons, set the time format to 12 or 24 hours.

ADJUSTABLE BACKWASH - Press and hold the SELECT button until the display shows "000--", then press the SELECT button four times to advance to the Backwash time adjust screen.



Using the UP or DOWN buttons, adjust the backwash time from 0 minutes to 99 minutes.

ADJUSTABLE FAST RINSE - Press and hold the SELECT button until the display shows "000--", then press the SELECT button five times to advance to the Fast Rinse time adjust screen.



Using the UP or DOWN buttons, adjust the fast rinse time from 0 minutes to 99 minutes.

TIMER "POWER-OUTAGE MEMORY" - If electrical power to the timer is interrupted, the "memory" built into timer circuitry keeps time settings for 6 hours (minimum) or more. The display is blank and the filter will not regenerate. When electrical power comes on, one of two things will happen.

1. The present time of day will show steady, meaning the timer memory has kept all settings.
2. The display will show a time, but it will be flashing. The timer memory did **not** keep the time setting and it must be reset (page 10). If you do not reset the time setting, regenerations will most likely be at the wrong time of day.

NOTE: The flashing display is to remind you to reset the timer.

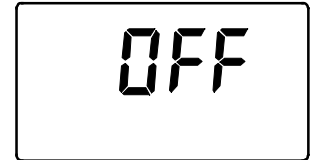
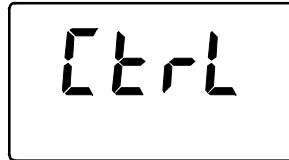
NOTE: If the filter was in a backwash when power was lost, it will now finish the cycle.

AUXILIARY OUTPUT CONTROL - The electronic controller's auxiliary output may be used to operate various types of external equipment, such as a chlorine generator or chemical feeder. It provides a 28V DC, up to 300 mA, current from terminal J4 on the electronic control board (see Schematic on Page 9). The table below explains the choices available for when the auxiliary output will be on during various portions of the recharge cycle:

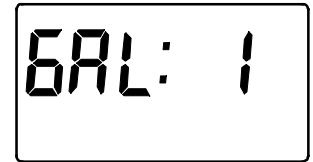
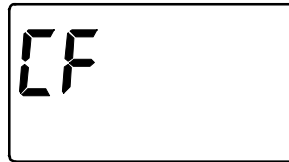
SELEC-TION	NAME	AUXILIARY OUTPUT FUNCTION
OFF	Off	Remains off indefinitely.
BP	Bypass	On during the entire recharge.
CL	Chlorine	On during the brine draw portion of the recharge (softeners only).
FS	Flow Switch	On when water is flowing past the turbine. It will shut off 8 seconds after water flow stops.
CF	Chemical Feeder	After the set volume of water has flowed past the turbine, turns on for the time set (see Steps 4 & 5, below, to set volume and time).
FR	Fast Rinse	On during the fast rinse portion of the recharge.

The default is OFF. If you wish to change to one of the other selections shown in the table above:

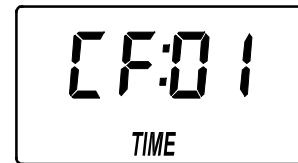
1. Press and hold the SELECT button until "000 - -" shows in the display.
2. Press the SELECT button six times and "Ctrl" will flash in the display.



3. Use the UP or DOWN buttons to display the desired selection, then press the SELECT button. If you selected anything other than CF, the display will return to the normal run (time of day) screen. If setting to CF (Chemical Feeder), there will be two additional settings to make for operating the chemical feeder in Steps 4 and 5, below.



4. **CHEMICAL FEEDER TRIP VOLUME:** If you have set the auxiliary output control to CF (Chemical Feeder), you will need to set the volume of water which must flow past the turbine before the auxiliary output is turned on. With the alternating screens shown above, use the UP or DOWN buttons to set the trip volume, in gallons. Then press the SELECT button to display the screen shown below.



5. **CHEMICAL FEEDER TIME:** Use the UP or DOWN buttons to set the length of time, in seconds, that the auxiliary output will be turned on. Then press the SELECT button to accept and return to the normal run (time of day) screen.

GENERAL INFORMATION

...**SEDIMENT FILTERS** - A sediment filter removes, sand, clay, silt, or fine organic matter from water. You can see sediment in water by holding a sample, in a clear glass, up to a light. The particles are either suspended or settled to the bottom of the glass.

“Filter Aggregate” mineral mechanically filters the sediment particles as water passes through the bed. This mineral lasts indefinitely when properly maintained.

...**ACID NEUTRALIZERS** - Acid water (6.0 to 6.8 pH) is corrected with an acid neutralizer filter. Acid water, although sometimes clear in appearance, shortens the life of iron pipe, and corrodes copper or brass pipe and fittings. It causes green or blue stains on plumbing fixtures and may etch porcelain enamel over a period of time.

Acid water, as it passes through the filter Neutralite

mineral bed, dissolves some of the mineral. This raises the pH above 6.8, to neutralize the acid. Because the mineral does dissolve, the filter eventually needs refilling. The time between refills varies with the degree of acidity and how much water is used. The average life of the bed is about one year.

...**TASTE AND ODOR FILTERS** - A taste and odor filter removes most tastes, odors and certain organic colors from water. Bad tastes and odors are due to a variety of causes (chlorine, petroleum, tannins, etc.). The activated carbon mineral of a taste and odor filter has a high capacity for absorbing these impurities.

The activated carbon bed usually lasts for about one year. However, high amounts of tastes and odors and/or excessive water usage may shorten this time. Activated carbon is nonregenerative and needs replacing when exhausted.

SERVICE, BACKWASH AND FAST RINSE

SERVICE (Figure 10): Unfiltered water enters the valve inlet port. Internal valve porting routes the water down and out the top distributor, into the mineral tank. The water is filtered as it passes through the mineral bed, then enters the bottom distributor. Filtered water flows back into the valve and out the valve outlet, to the house filtered water pipes.

In time, the filter needs cleaning to remove sediments, dirt, iron, etc., from the mineral bed. This cleaning is done in two stages, or cycles, called backwash and fast rinse. It is started automatically by the timer.

BACKWASH (Figure 11): The timer starts the valve motor and moves the valve into backwash position.

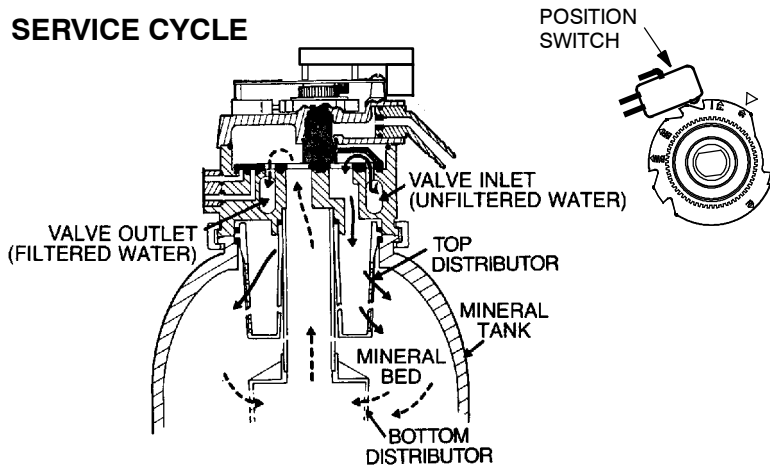
Water is routed down and out the bottom distributor, up through the mineral bed, and out the top distributor to the drain. The fast flow (controlled by a flow plug in the drain fitting) flushes dirt, sediments, iron deposits, etc. to the drain. The mineral bed is lifted and expanded for maximum cleaning.

FAST RINSE (Figure 12): Valve rotation positions the inner discs so water flow enters the mineral tank through the top, and exits at the bottom, to the drain. The fast flow of water downward, packs the mineral bed and prepares it for return to service.

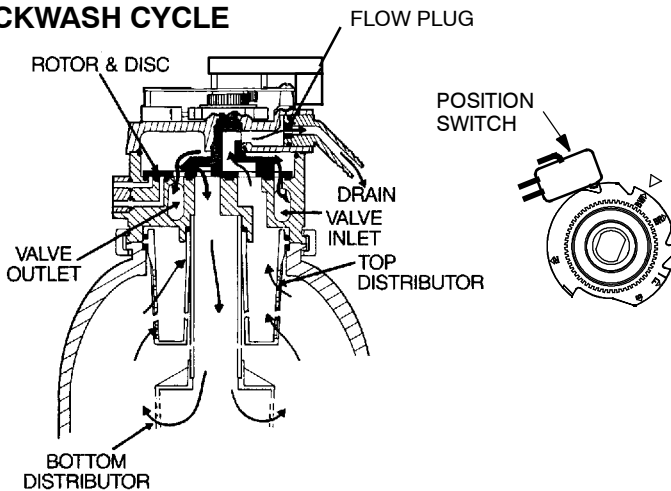
The timer energizes the valve motor again to return the valve to service.

WATER FLOW PATHS

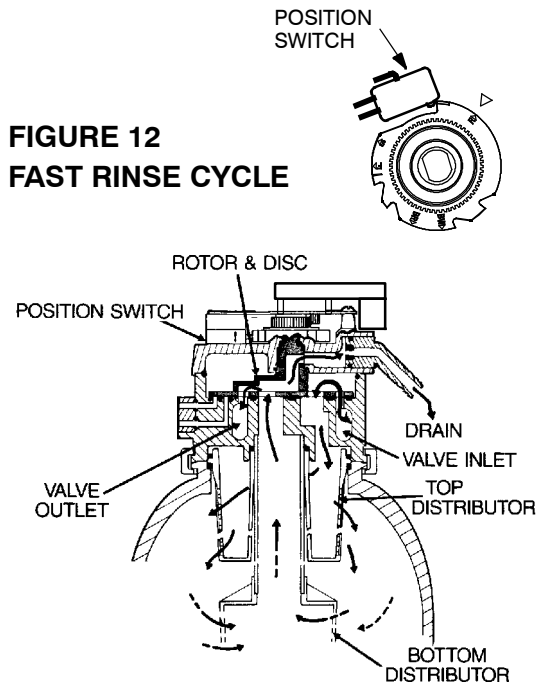
**FIGURE 10
SERVICE CYCLE**



**FIGURE 11
BACKWASH CYCLE**



**FIGURE 12
FAST RINSE CYCLE**

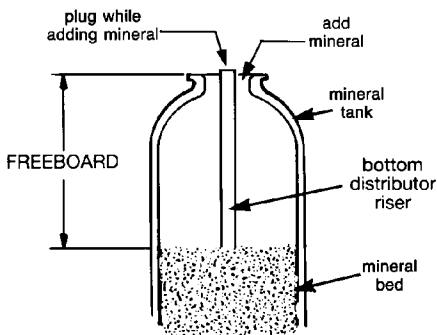


NEUTRALIZING FILTER - CHECKING THE MINERAL LEVEL IN THE TANK: As explained on page 14, the mineral dissolves in the water to neutralize the acid. How fast it dissolves depends on how much water your household uses and the pH of the water.

Every few months you should measure the mineral bed level in the tank. Always add new mineral before the tank is empty. To measure, do the following.

1. Refer to page 11 and initiate the RECHARGE NOW feature.
2. When water starts to run from the drain hose, put the plumbing bypass valve(s) in bypass position, see Figure 7, page 8, TO DEPRESSURIZE THE FILTER.
3. Unplug the power supply at the wall outlet.
4. Remove the controller cover.
5. Disconnect the inlet and outlet copper tubes, see page 7.
6. Remove the valve assembly from the mineral tank, page 4.
7. Remove the top distributor and four o-ring seals, page 4.

FIGURE 13



	SUGGESTED FREEBOARD
ETF2100PF10	15"
ETF2100PF12	16"

8. Use a yard stick or steel tape measure to find the distance down to the top of the mineral bed, see Figure 13. If 15" below the suggested freeboard, add more neutralite material.

9. Use a funnel to add more mineral, if needed.
10. Flush all mineral from the tank top opening. Then replace the distributor and four o-ring seals, Figure 1, page 4.
11. Do the following steps to return the filter to service.

- step 4, page 4
- step 1b and 1c, page 7
- step 8, page 8, if hose was disconnected
- steps 9 through 12, page 9.

NOTE: After electrical power is applied, see page 12 if the time display is flashing.

- initiate RECHARGE NOW feature, see page 11.

TASTE AND ODOR FILTER - REPLACING THE ACTIVATED CARBON MINERAL BED (SEE PAGE 14): When the filter no longer removes tastes and/or odors from the water, the activated carbon bed must be replaced. To replace the bed:

1. Do steps 1 through 7, above left.
2. Carefully lay the filter tank over. Pull the standpipe and bottom distributor from the mineral bed.
3. Dump the contents of the tank into a suitable container.
4. Stand the tank upright and replace the bottom distributor and standpipe.
5. Add the required amounts of gravel, filter sand, and activated carbon mineral. See specifications, page 3.
6. Do steps 10 and 11, above.

TROUBLESHOOTING

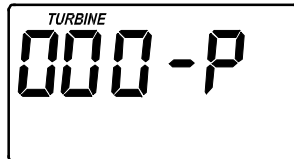
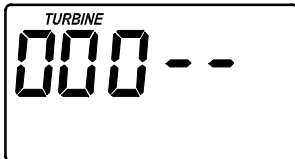
ALWAYS MAKE THESE INITIAL CHECKS FIRST

1. Does the time display show the correct time of day?
...If display is blank, check power source to the filter.
...If time is flashing, power was off for over two days. The filter resumes normal operation but backwashes occur at the wrong time.
2. Plumbing bypass valve(s) must be in SERVICE position (see figure 7, page 9).
3. The inlet and outlet pipes must connect to the filter inlet and outlet respectively.
4. Is the power supply plugged into a “live” grounded wall outlet, and the power cable fastened securely?
5. The valve drain hose must be free of kinks and sharp bends.

If you do not find the problem after making the initial checks, do the **MANUAL ADVANCE DIAGNOSTICS**.

**MANUAL INITIATED
ELECTRONICS DIAGNOSTIC**

1. To enter diagnostics, press and hold the SELECT keypad until (000- -) shows in the display.



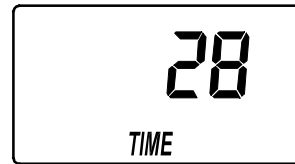
The letter (P) and dash or dashes indicate position switch operation. The letter shows if the switch is closed. A dash shows when the switch is open.

SWITCH DISPLAYS	VALVE CYCLE STATUS
- -	valve in service, backwash or fast rinse position
- P	valve rotating from one position to another

Use the RECHARGE keypad to manually advance the valve into each cycle and check correct switch operation.

While in this diagnostic screen, the following information is available and may be beneficial for various reasons. This information is retained by the computer from the first time electrical power is applied to the face plate.

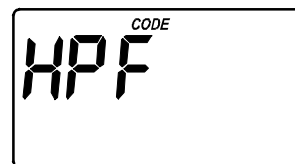
...Press the UP keypad to display the number of days this face plate has had electrical power applied.



...Press the DOWN keypad to display the number of regenerations initiated by this face plate since the model code number was entered.



2. Press the SELECT keypad and *hold* for 3 seconds until the model code appears in the display.



NOTE: For correct filter operation, the model code must be HPF.

To reset the code, press the UP or DOWN keypads until the correct model code shows in the display.

3. Press the SELECT keypad to return the present time display. If the code was changed, make ALL the timer settings, page 10 and 11.

NOTE: If the face plate is left in a diagnostic display (or a flashing display when setting times or days to recharge), preset time automatically returns if a button is not pressed within 4 minutes.

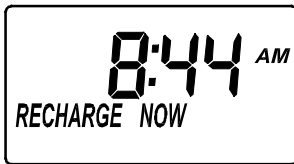
MANUAL ADVANCE DIAGNOSTIC

Use the following procedures to advance the filter valve through the regeneration cycles to check operation.

Remove the top cover to observe cam and switch operation during valve rotation.

DISPLAY MUST SHOW TIME AND DAY

1. Press and hold the RECHARGE keypad for 3 seconds until RECHARGE NOW flashes in the display and the filter moves into the backwash cycle.



...If the motor does not run, check the motor and all wiring connections.

Look for a fast flow of water from the drain hose (see specifications).

...An obstructed flow indicates a plugged top distributor, backwash flow plug, or drain hose.*

NOTE: Be sure household water pressure (well system) is maintained at a minimum of 20 psi. Adjust the pump switch upward, if needed.

2. Press the RECHARGE keypad to move the filter into fast rinse. Again, look for a drain flow rate about the same as backwash.

3. To return the filter to service, press the RECHARGE keypad once.

OTHER SERVICE

UNFILTERED WATER BYPASS (unfiltered water “bleeds” into filtered water supply.

1. Missing or defective o-ring(s) at resin tank to valve connection (see Figure 1, page 4).

2. Defective rotor disc, seal or wave washer (see pages and).

WATER LEAKS FROM DRAIN HOSE (during service)

1. Defective rotor disc, seal, or wave washer.

2. Defective o-ring on disc shaft.

AUTOMATIC ELECTRONIC DIAGNOSTICS

The face plate has a self diagnostic function for the electrical systems (except input power). The face

plate monitors the electronic components and circuits for correct operation. If a malfunction occurs, an error code appears in the face plate display.

POSSIBLE DEFECT

CODE	MOST LIKELY	LEAST LIKELY
Err 01 Err 02 Err 03 Err 04	wiring harness or connection to position switch / switch / valve defect causing high torque / motor inoperative	
Err 05	faceplate	

PROCEDURE FOR REMOVING ERROR CODE FROM FACEPLATE: 1. Unplug power supply---- 2. Correct defect---- 3. Plug power supply back in---- 4. Wait for 12 minutes. The error code will return if the defect was not corrected. Press and hold the RECHARGE keypad for 3 seconds as an alternate way to clear an error code.

RESETTING TO FACTORY DEFAULTS

To reset the electronic controller to its factory default for all settings (time, days to recharge, etc.):

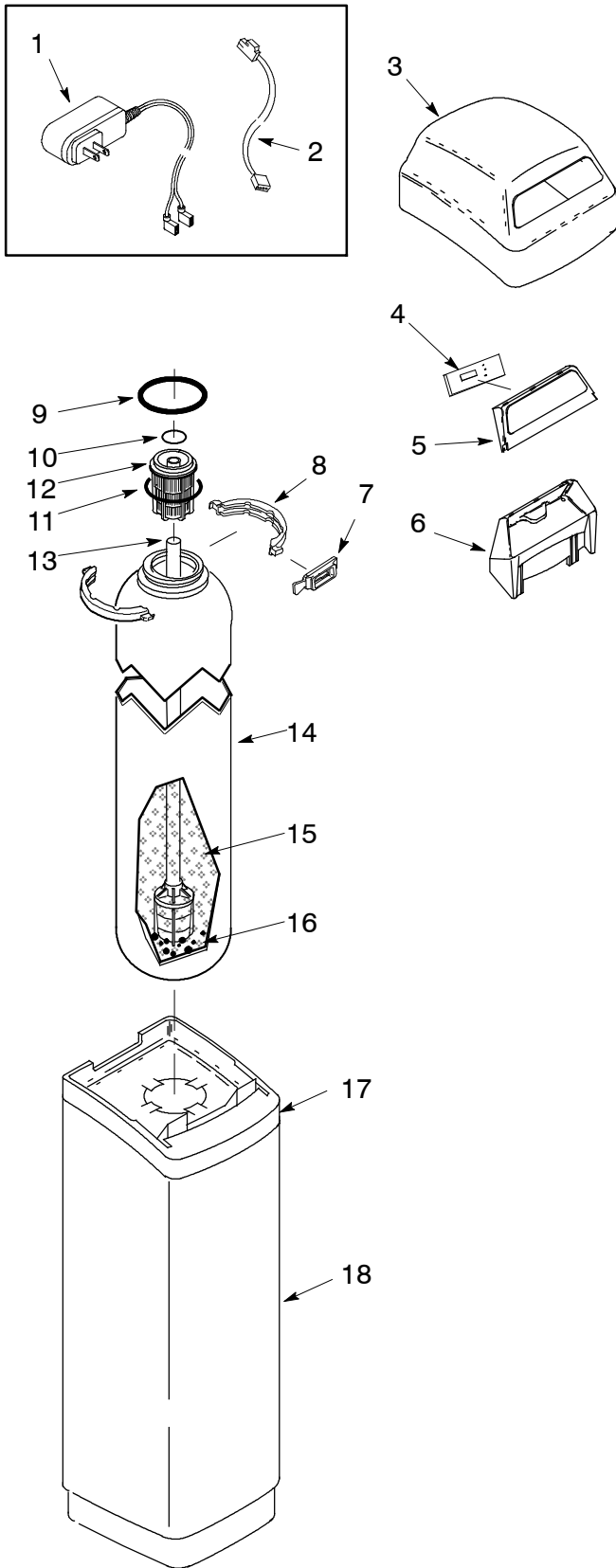
1. Press the SELECT keypad and hold it until the display changes twice to show “CODE” and the flashing model code.

2. Press the UP keypad (a few times, if necessary) to display a flashing “SoS”.



3. Press the SELECT keypad, and the electronic controller will restart.

4. Set the present time, days to recharge, etc., as described on pages 10 & 11.

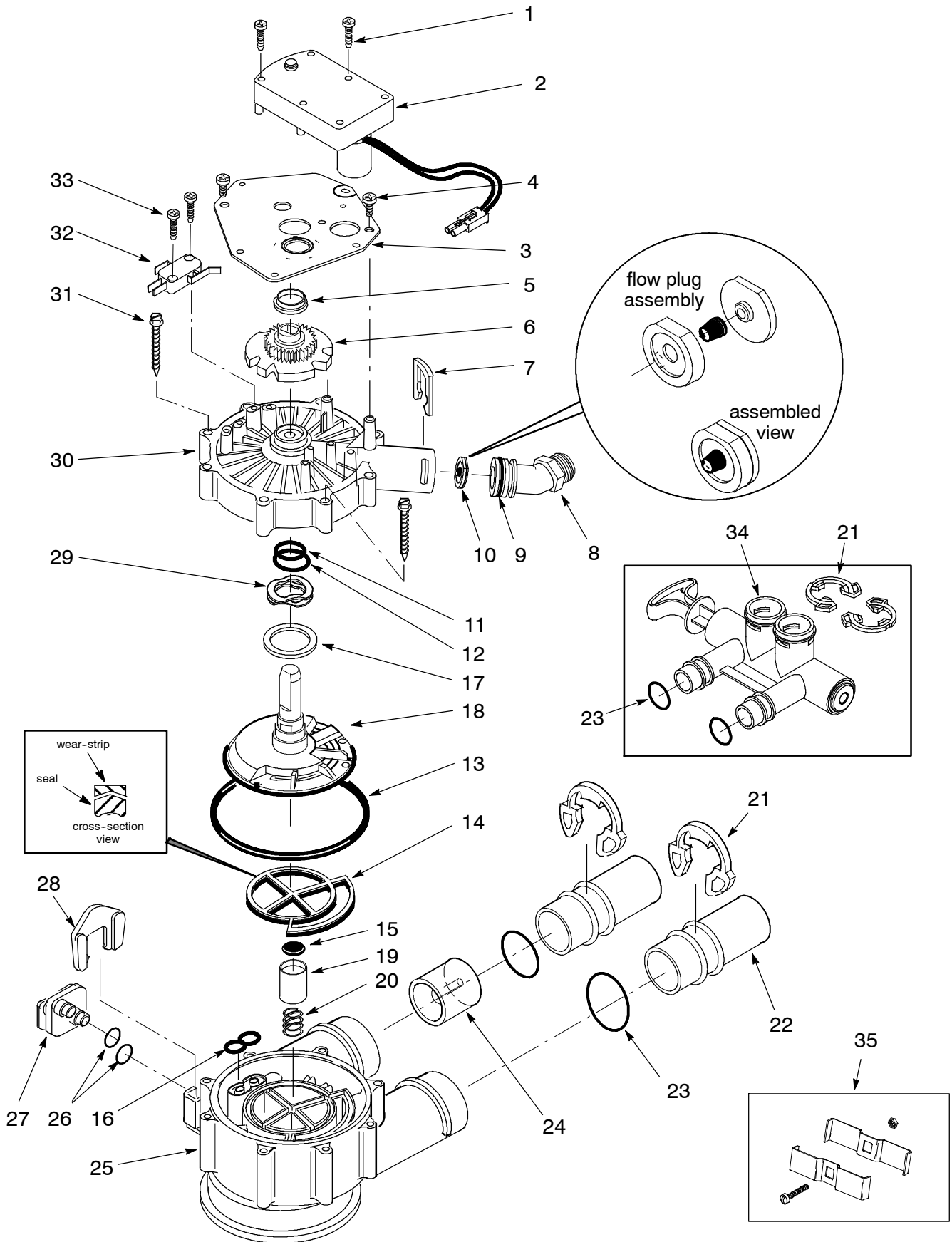


KEY NO.	PART NO.	DESCRIPTION
1	7337482	Power Supply, 28V DC
2	7259927	Wire Harness
3	7218670	Top Cover
4	7336363	Rep'l PWA
5	7210509	Face Plate (order following decal)
-	7308970	Decal
6	7291212	Face Plate Support
-	7331177	Tank Neck Clamp Kit (includes 2 ea. of Key Nos. 7 & 8)
7	↑	Clamp Section (2 req.)
8	↑	Retainer Clip (2 req.)
-	7112963	Distributor O-ring Kit (includes Key Nos. 9-11)
9	↑	O-ring, 2-7/8" x 3-1/4"
10	↑	O-ring, 13/16" x 1-1/16"
11	↑	O-ring, 2-3/4" x 3"
12	7088855	Top Distributor
13	7105047	Rep'l Distributor, bottom
14	7092202	Resin Tank, 10" dia. x 47"
-	7113074	Resin Tank, 12" dia. x 54"
15	-	Filtering Minerals [1]
-	0505647	Filter Aggregate, 1 cu. ft.
-	3423699	Neutralite, 1/2 cu. ft.
-	3424509	Activated Carbon, 1 cu. ft.
-	7175149	Activated Carbon, 50 lbs.
16	7025027	Gravel (order amount needed)
17	7274286	Rim
18	7218646	Shroud, 10" dia. x 47"
-	7218654	Shroud, 12" dia. x 54"
■	0501783	Filter Sand, 10 lbs. [1]

NOTE: See specifications, page 3, for mineral bed requirements.

[1] Not included with filter.

■ Not illustrated.



KEY NO.	PART NO.	DESCRIPTION
1	7224087	Screw, #8-32 x 1" (2 req.)
2	7286039	Motor (incl. 2 ea. of Key No. 1)
3	7231393	Motor Plate
4	0900857	Screw, #6-20 x 3/8" (3 req.)
5	7171250	Bearing
6	7283489	Cam and Gear
7	7169180	Clip (Drain)
8	7172793	Drain Hose Adaptor
9	7170288	O-ring, 15/16" x 1-3/16", single
	7336402	O-ring, 15/16" x 1-3/16", pack of 20
10	7178189	Flow Plug, 5 gpm
-	7178202	Flow Plug, 7 gpm (12" dia. APF)
-	7185487	Seal Kit (incl. Key Nos. 11-16)
11	↑	O-ring, 5/8" x 13/16"
12	↑	O-ring, 1-1/8" x 1-1/2"
13	↑	O-ring, 4-1/2" x 4-7/8"
14	↑	Rotor Seal
15	↑	Seal
16	↑	Seal, Nozzle & Venturi
17	7174313	Bearing, Wave Washer
18	7185500	Rotor & Disc
19	7171187	Plug (Drain Seal)

KEY NO.	PART NO.	DESCRIPTION
20	7129889	Spring
21	7089306	Clip, 1", single (4 req.)
	7336428	Clip, 1", pack of 20
22	7077642	Copper Tube, 1", single (2 req.)
	7344138	Copper Tube, 1", pack of 10 (includes 10 ea. of Key No. 23)
23	7311127	O-ring, 1-1/16" x 1-5/16", single (4 req.)
	7336410	O-ring, 1-1/16" x 1-5/16", pack of 20
24	70782405	Support
25	7171145	Valve Body
26	7170319	O-ring, 1/4" x 3/8"
27	7100940	Plug
28	7081201	Retainer
29	7175199	Wave Washer
30	7171161	Valve Cover
31	7172997	Screw, #10 x 2-5/8" (8 req.)
32	7305150	Switch
33	7140738	Screw, #4-24 x 3/4" (2 req.)
34	7214383	Bypass Valve Assembly, 1" ① (Includes 2 ea. of Key Nos. 21 & 23)
35	7248706	Ground Clamp Kit ①

① Optional part - not included.

**EcoWater Systems LLC
Advantage Warranty
Series ETF 2100 Water System**

Congratulations! You have just purchased the highest quality water conditioning product on the market.

To whom is this warranty extended?

EcoWater Systems LLC warrants its products to the original owner and guarantees that the products will be free from defects in materials and workmanship from the original date of installation.

How does my warranty work?

If, during the respective warranty period, a part proves, after inspection by EcoWater, to be defective, EcoWater will, at its sole option repair or replace that part at no charge, other than normal shipping and installation charges.

What is covered by the warranty?

EcoWater systems LLC guarantees that,

for the LIFETIME of the original owner, the MINERAL TANK will not rust, corrode, leak, burst, or in any other manner fail to perform their proper functions and that,

for a period of FIVE (5) YEARS after installation, the VALVE BODY will be free of defects in materials and workmanship and will perform its proper function and that,

for a period of THREE (3) YEARS after installation, the ELECTRONIC FACEPLATE will be free of defects in materials and workmanship and will perform its normal functions and that,

for a period of ONE (1) YEAR after installation, ALL OTHER PARTS will be free of defects in materials and workmanship and will perform their normal functions.

How do I obtain local service?

Should you need service, your local, independent EcoWater Dealer is only a phone call away.

PHONE: _____

If I need a part replaced after the factory warranty expires, is that part warranted?

Yes, EcoWater Systems LLC warrants FACTORY REPAIRS as well as all replacement parts for a period of 90 DAYS.

Are any additional warranties available?

We are pleased to say, YES! EcoWater Systems LLC offers an EXTENDED, PARTS ONLY WARRANTY for the ELECTRONICS portion of your product. This warranty is called the "Perfect Ten" and extends the three year warranty on the electronic FACEPLATE, WIRING HARNESS, DRIVE MOTOR, POWER SUPPLY, POWER CORD, SENSOR HOUSING, and MICRO SWITCHES to a total of TEN YEARS from the date of original installation. Should your local dealer not offer this warranty, you may contact the factory for additional information.*

General Provisions

The above warranties are effective provided the water conditioner is operated at water pressures not exceeding 125 psi, and at water temperatures not exceeding 120°F; provided further that the water conditioner is not subject to abuse, misuse, alteration, neglect, freezing, accident or negligence; and provided further that the water conditioner is not damaged as the result of any unusual force of nature such as, but not limited to, flood, hurricane, tornado or earthquake. EcoWater Systems LLC, is excused if failure to perform its warranty obligations is the result of strikes, government regulation, materials shortages, or other circumstances beyond its control.

To obtain warranty service, notice must be given, within thirty (30) days of the discovery of the defect, to your local EcoWater Systems dealer.

*THERE ARE NO WARRANTIES ON THE WATER CONDITIONER BEYOND THOSE SPECIFICALLY DESCRIBED ABOVE. ALL IMPLIED WARRANTIES, INCLUDING ANY IMPLIED WARRANTY OF MERCHANTABILITY OR OF FITNESS FOR A PARTICULAR PURPOSE, ARE DISCLAIMED TO THE EXTENT THEY MIGHT EXTEND BEYOND THE ABOVE PERIODS. THE SOLE OBLIGATION OF ECOWATER SYSTEMS LLC UNDER THESE WARRANTIES IS TO REPLACE OR REPAIR THE COMPONENT OR PART WHICH PROVES TO BE DEFECTIVE WITHIN THE SPECIFIED TIME PERIOD, AND ECOWATER IS NOT LIABLE FOR CONSEQUENTIAL OR INCIDENTAL DAMAGES. NO ECOWATER DEALER, AGENT, REPRESENTATIVE, OR OTHER PERSON IS AUTHORIZED TO EXTEND OR EXPAND THE WARRANTIES EXPRESSLY DESCRIBED ABOVE.

Some states do not allow limitations on how long an implied warranty lasts or exclusions or limitations of incidental or consequential damage, so the limitations and exclusions in this warranty may not apply to you. This warranty gives you specific legal rights, and you may have other rights which vary from state to state. This warranty applies to consumer-owned installations only.